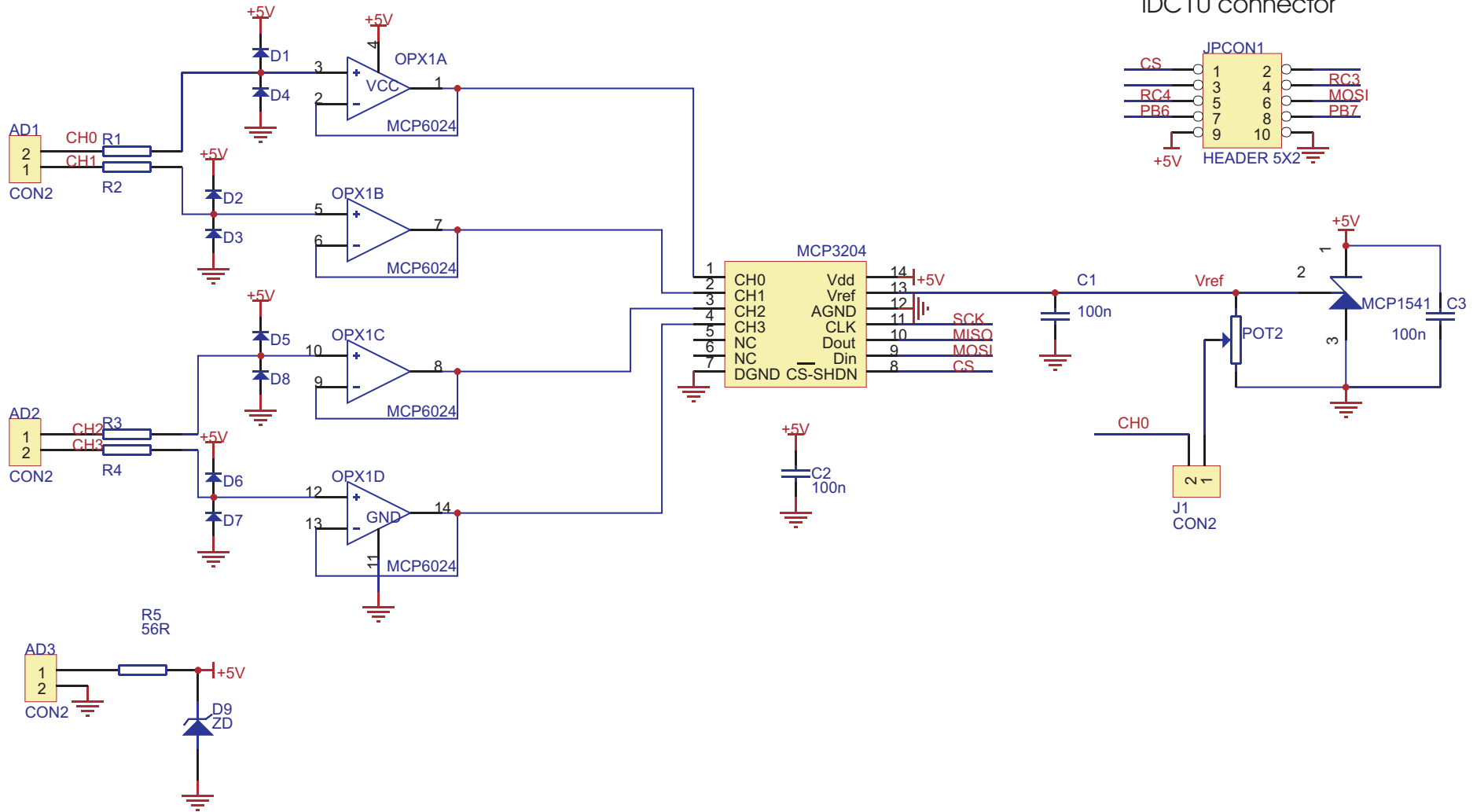
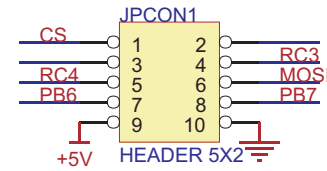


Selections for PIC , 8051 and AVR easy development systems. It is already connected properly due to development tools you ordered.



IDC10 connector



12 bit ADC Board Schematic