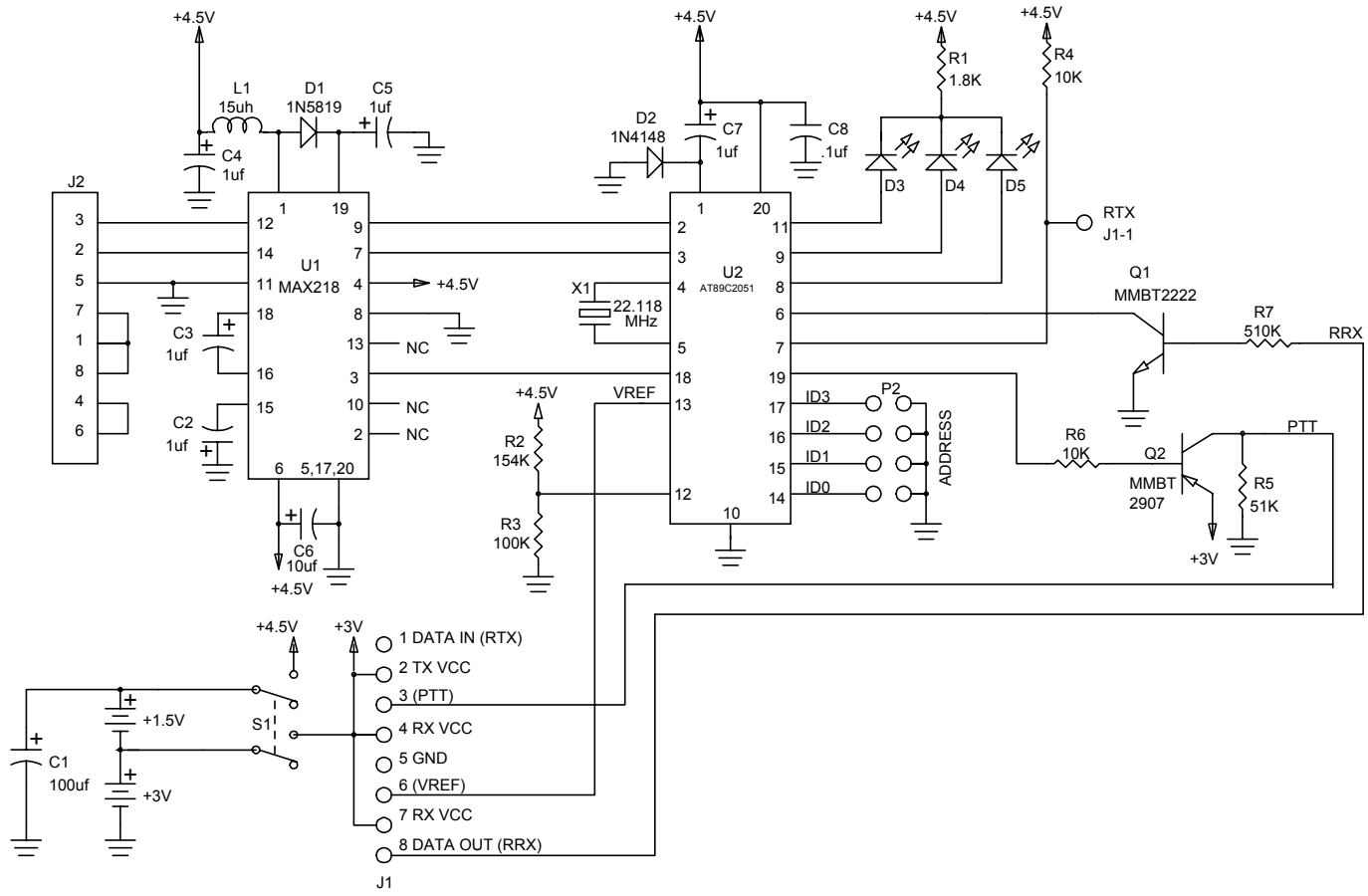


NOTES:

D3, D4, D5 are ultrabright LED's with cathode to B+.
Polarity may vary with different LED's.

| REV | ECN NO. | DESCRIPTION | APP/DATE |
|-----|---------|-------------|----------|
| | | | |



| | | | | | | | |
|---|------------------|---|---------------------|--------------------------|----------|--------------|--|
| DRAWN BY/DATE: Lee A. Mrha 5Mar99 | | TITLE: SCHEMATIC, Protocol Bd., 19.2Kbs | | | | | |
| RF Monolithics, Inc. DALLAS, TEXAS 75244 | CHECKED/APPROVED | SIZE A | CODE IDENT 2U874 | DWG. NO. 444-1001-003 | REV X | SHEET 1/1 | |