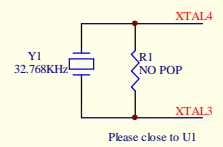
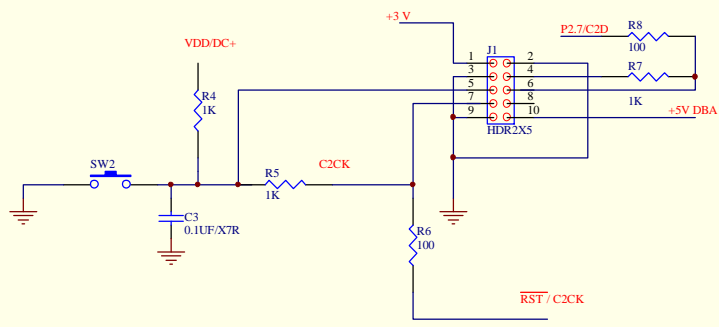
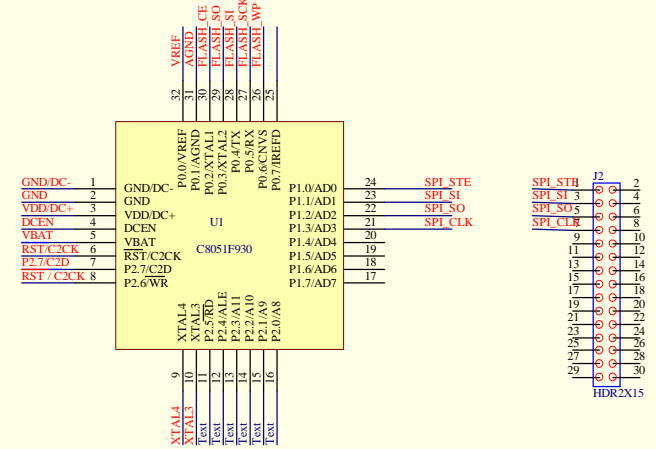
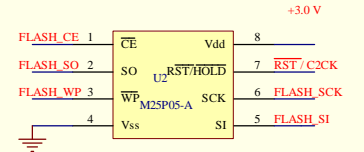
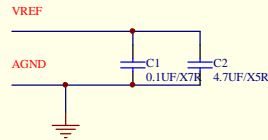
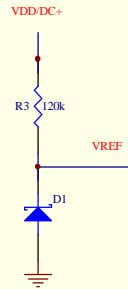
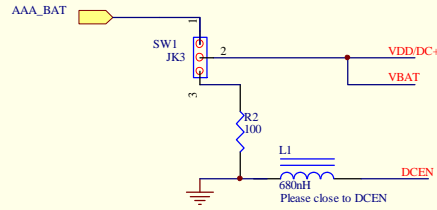


REVISION NOTES

- REV 01 TO REV 02
 1) U2 FLASH ADDED
 2) J2 CONN ADDED



Title		
MCU Implanted Device		
Size	Number	Revision
B	01	02
Date:	25-Mar-2009	Sheet of
File:	C:\GA\my design\M25M25.ddb	Drawn By: Zhen FU