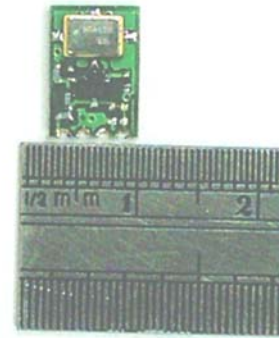




DESCRIPTION

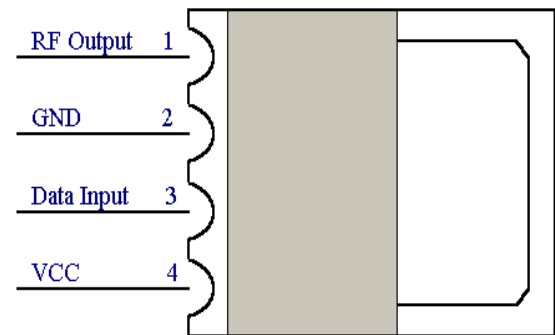
ST-TX02 is a low cost A.S.K. SAW transmitter module. It makes RF remote techniques easily, just input the data code and output with a high stability RF signal.



FEATURES

- SAW chip on board technology
- Low power consumption
- Easy for application
- Operation temperature range : $-20^{\circ}\text{C} \sim +70^{\circ}\text{C}$
- Wide range of operation voltage : 3~9V
- RF output
3.5~4.5dBm at 3V DC
7~9dBm at 9V DC
- Available frequency at follows : 315/433.92 MHz

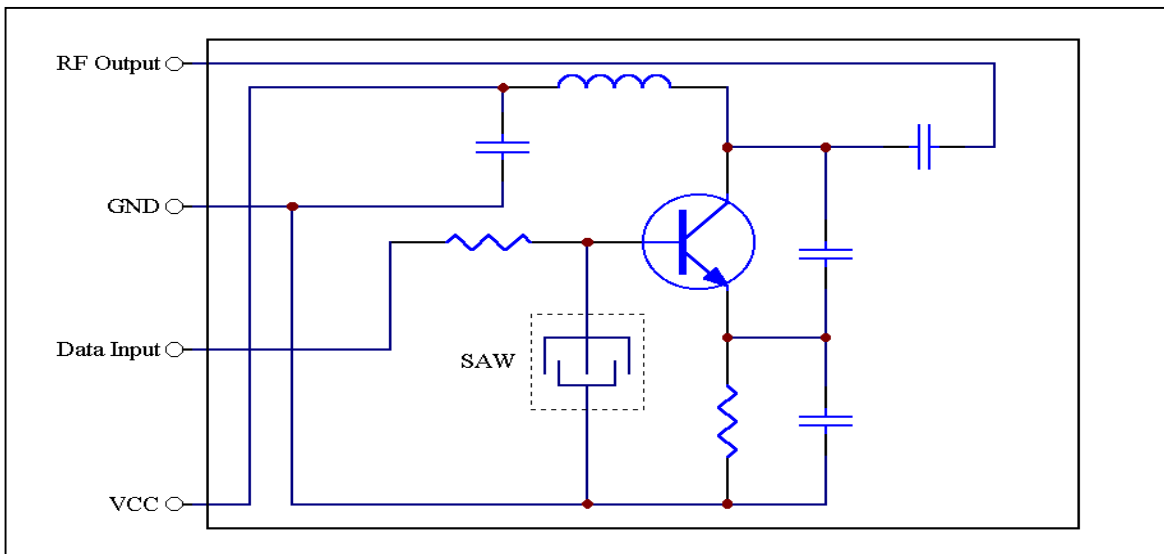
PIN ASSIGNMENT



APPLICATIONS

- Car security system
- Garage door controller
- Home security
- Wireless mouse
- Automation system

BLOCK DIAGRAM

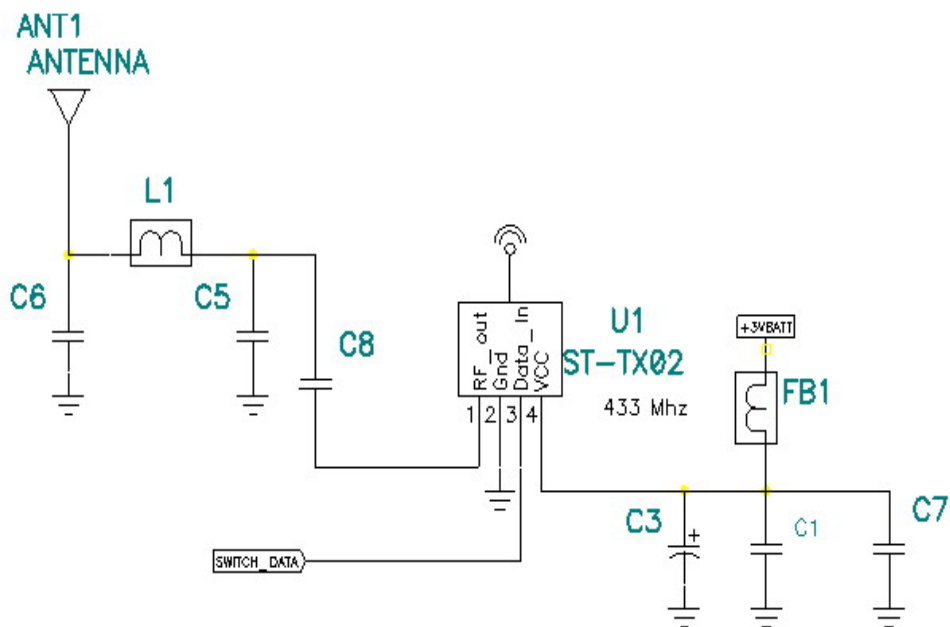


Absolute Maximum Ratings

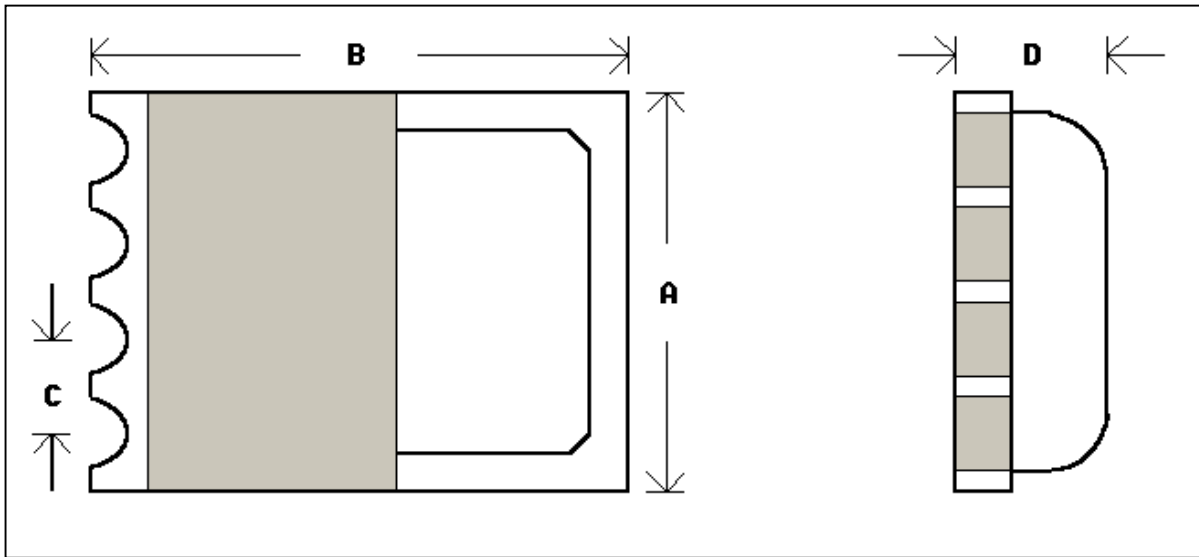
Parameter	Rating	Units
Supply Voltage	3~9	VDC
Data Input Voltage	- 0.3 to VDD+0.3	VDC
Operating Temperature	- 20 to 70	°C
Storage Temperature	- 40 to 150	°C

Parameter	Specification			Unit	Condition
	Min.	Typical	Max.		
Frequency Range Fix by SAW		315/434		MHz	
Frequency Accuracy	-75	0	+75	kHz	
Output Power		3.5		dBm	At 3 Volt. Power 50Ω Load
		9			At 9 Volt. Power 50Ω Load
Current Consumption	3	4	5	mA	At 3 Volt. Power Data Input = VDD
	7	20	25		At 9 Volt. Power Data Input = VDD
Modulation Frequency	0	1	5	kHz	On-Off Key (OOK)

Schematic Diagram



PACKAGE DIMENSION



DIMENSIONS (UNIT : mm)			
A	B	C	D
6.80	10.0	1.70	3.0