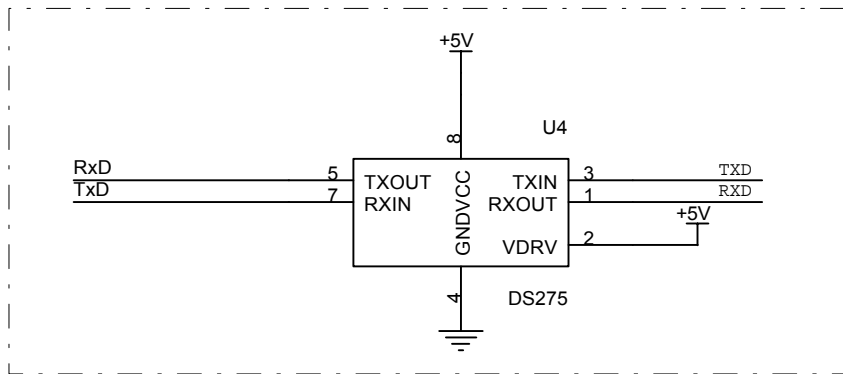
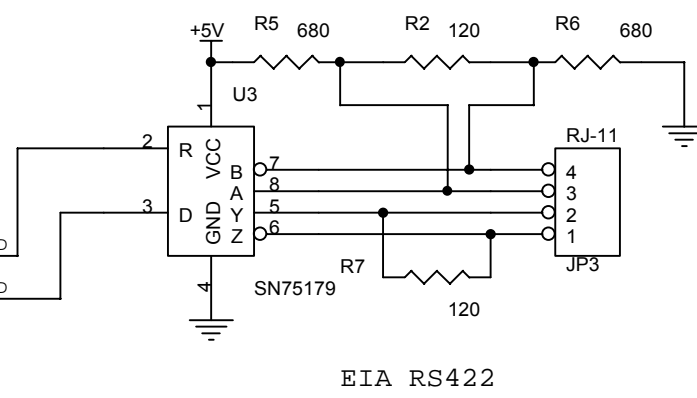
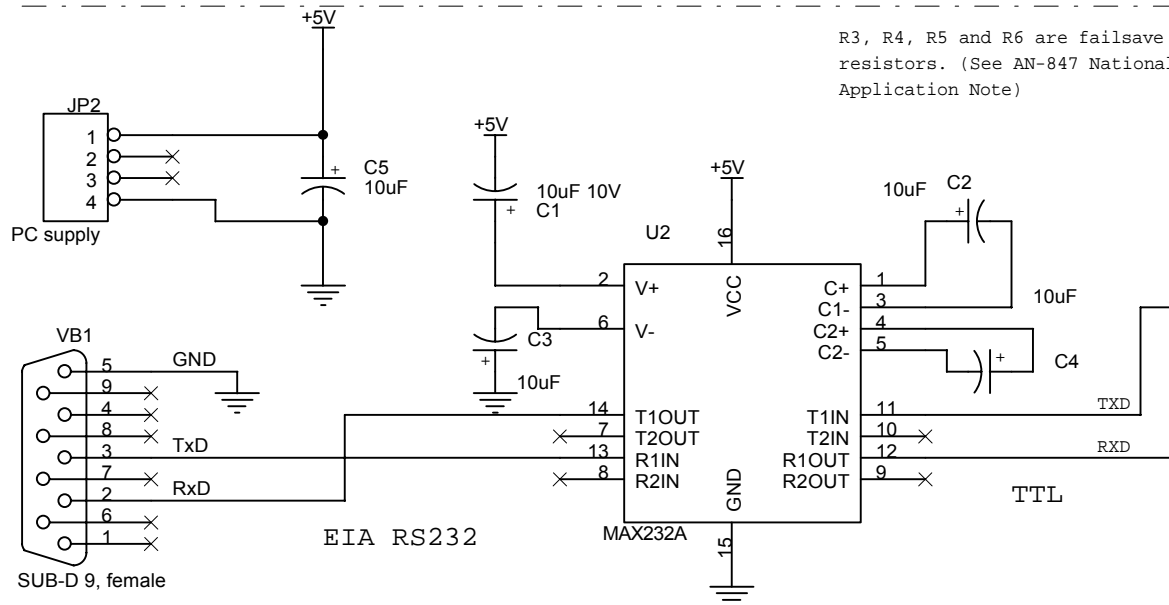


R3, R4, R5 and R6 are failsave biasing resistors. (See AN-847 National Semiconductor Application Note)



RS232 <- - - - -> RS422

Wichit Sirichote 4-1-46

Title		
Simple RS422 Converter		
Size	Document Number	Rev
A	<Doc>	1
Date:	Sunday, January 05, 2003	Sheet 1 of 1